



ULTRAFLAT LIGHT PANELS

**CCFL lamps
30.000 h
lifetime**

ULTRAFLAT LIGHT PANELS

Appearance:

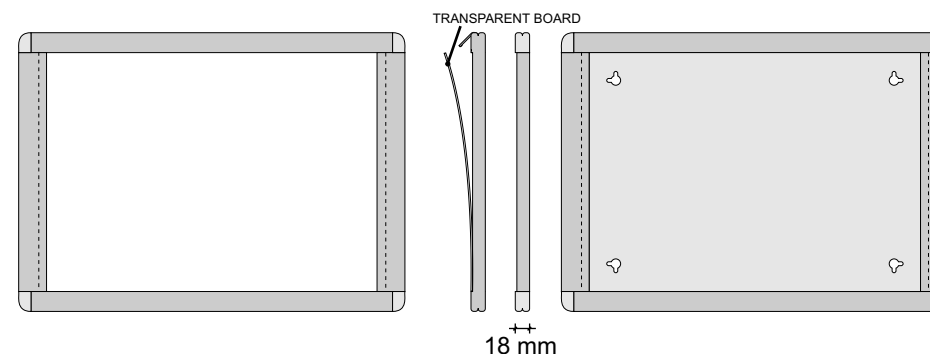
Bright and evenly spread illumination . Thanks to the flat surface of construction and the aesthetic quality of the make our light advertisement boards fulfill their advertising, informative and decorative function.

Functionality:

The light and compact structure ensures that both the installation and relocation is simple. In addition a well designed closing mechanism allows for a very easy exchange of pictures or graphics.

Energy Saving:

The CCFL lamps powered by a 12V current guarantee a low level of energy consumption when compared to traditional neon light board, the brightness of the picture and the even spread of light being unquestionable.



Durability:

The quality of the materials used guarantees a an enhanced resistance to deformation caused by high temperatures. The source of light is based on the newest generation of CCFL lamps which guarantee that the source of light will last for up to 30.000h.



Material:	Polished Aluminum (silver)
Frame type:	Clip / Snap Frame
Glowing colour:	white
Brightness:	> 2500 cd / m2
Light source:	CCFL Lamps <small>(Cold Cathode Fluorescent Lamp)</small>
Light source lifetime:	up to 30.000 h
Power source:	DC 12 V
Power adapter:	AC 110~240V, 50~60Hz
Thickness:	18 mm (all formats)